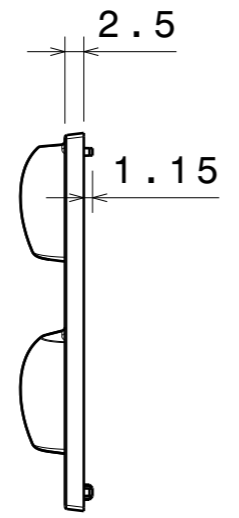
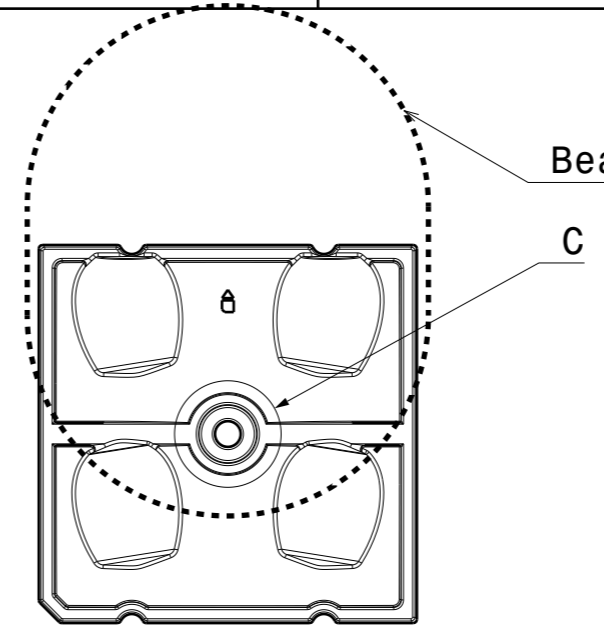


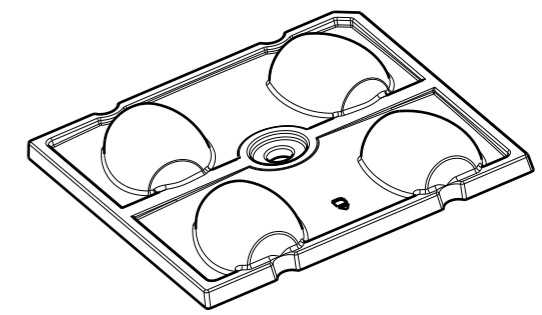
Front view
Scale: 1:1



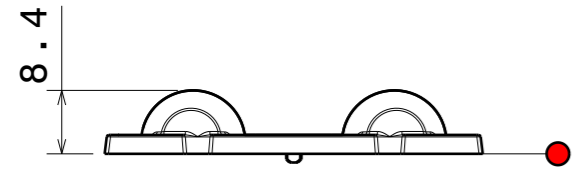
Left view
Scale: 1:1



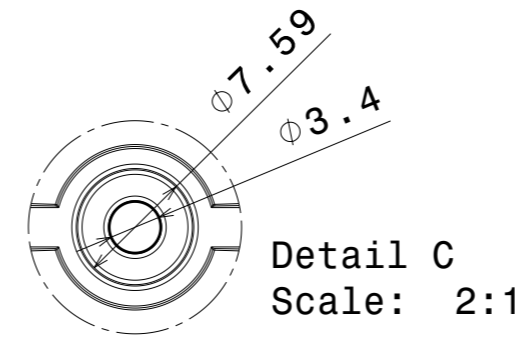
Rear view
Scale: 1:1



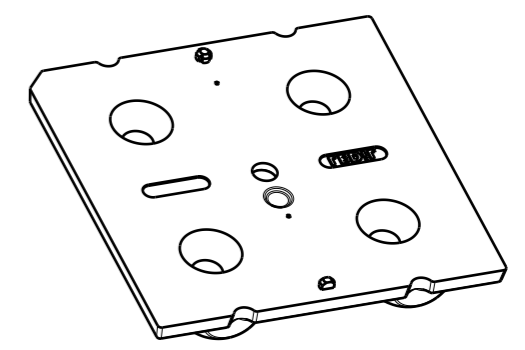
Isometric view
Scale: 1:1



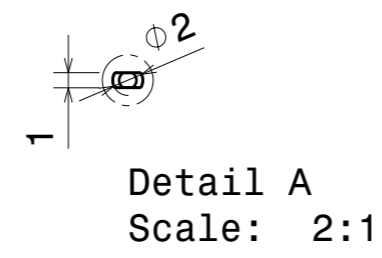
Top view
Scale: 1:1



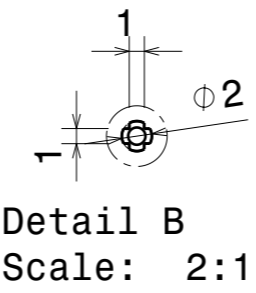
Detail C
Scale: 2:1



Isometric view
Scale: 1:1



Detail A
Scale: 2:1



Detail B
Scale: 2:1

PART	TYPE	MATERIAL	COLOR / COATING
C17633_STRADA-2X2-DB-mechanical-model	Lens	PMMA	Clear

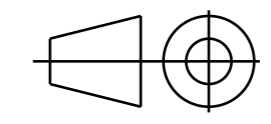
MECHANICAL DRAWING

PRODUCT
Strada



Plastic moulding general tolerances according to DIN 16901-130 and applies if not otherwise shown in the drawing. Silicone moulding general tolerances according to ISO 3302-1 Class M3 and applies if not otherwise shown in the drawing.

FIRST ANGLE PROJECTION:



This drawing is the property of LEDiL Oy. It may not be copied or otherwise distributed without prior written permission from LEDiL Oy.

SCALE	1:1	WEIGHT	8,5g	A3	SHEET 1/1
-------	-----	--------	------	----	-----------

Notes

●	PCB or heatsink level.
●	LED location
	Ensure LED fitting from a product specific 3D model available from www.ledil.com
	For more details about installation please see LEDiL Installation Guide on www.ledil.com